

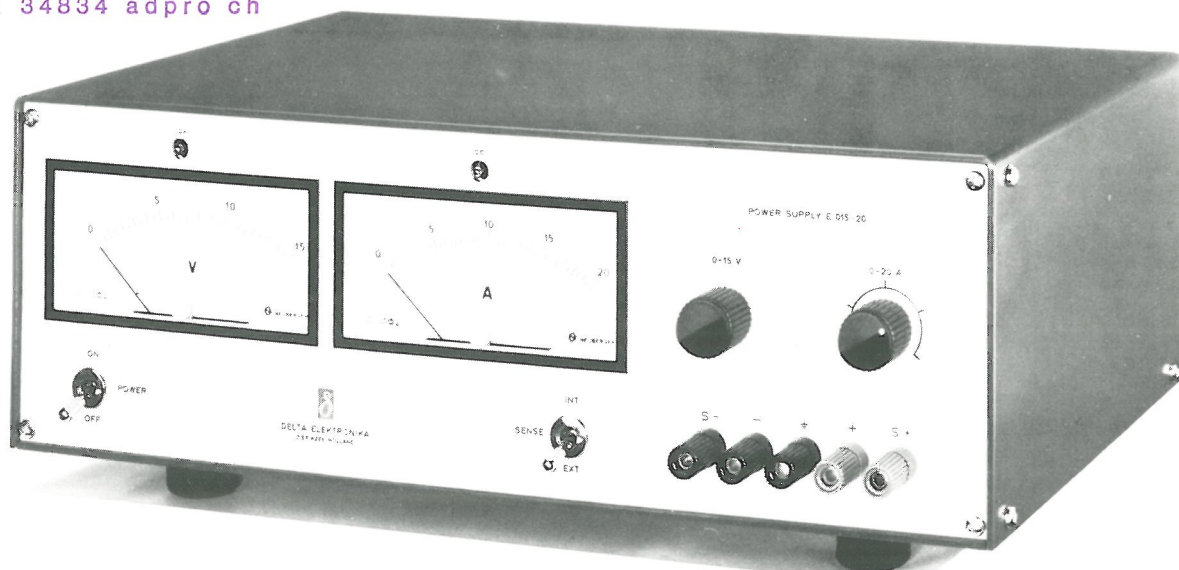
DELTA ELEKTRONIKA BV



P.O. BOX 27
ZIERIKZEE
NETHERLANDS
TEL (01110) 3656 TLX 55349

A+D PRODUCTS AG

Albert Anker-Weg 23 2502 BIEL
Telefon 032 23 63 12 / 23 55 82
Telex 34834 adpro ch



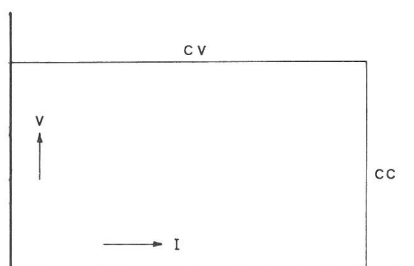
REGULATED POWER SUPPLIES

E 015-20	0-15 V, 0-20 A
E 030-10	0-30 V, 0-10 A
E 060-6	0-60 V, 0-6 A

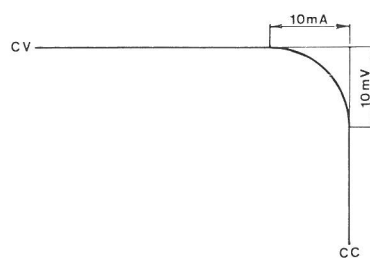
DESCRIPTION

Each of these 3 power supplies can be used as a constant voltage source with a limited current or as a constant current source with a limited open voltage.

The change of mode occurs sharply at the crossing of the voltage and current setting. The mode of operation is indicated above the voltage and current meter.



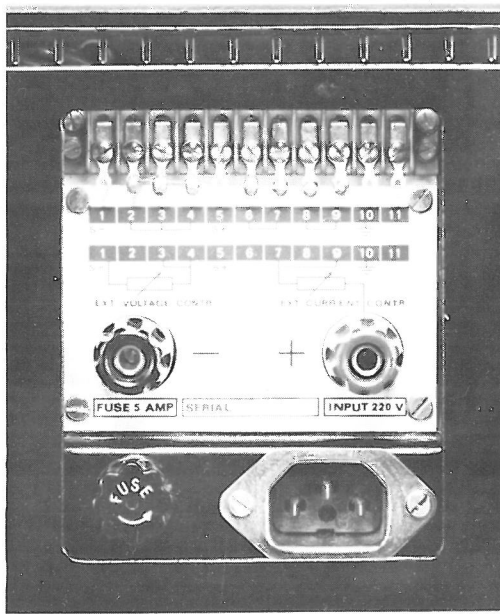
Constant voltage/constant current



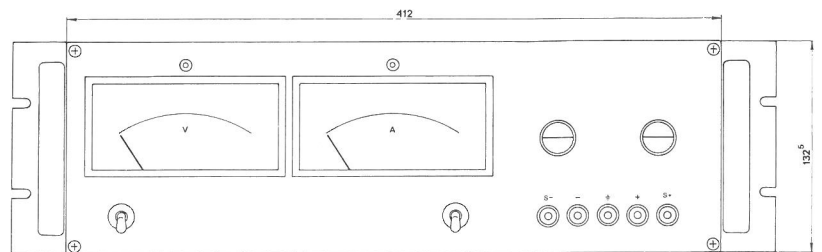
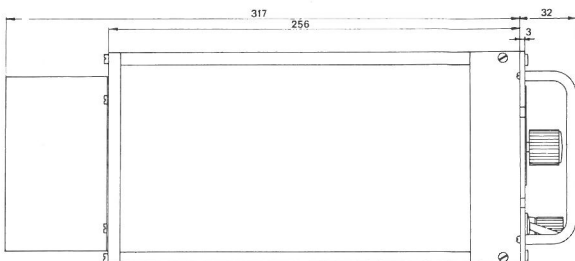
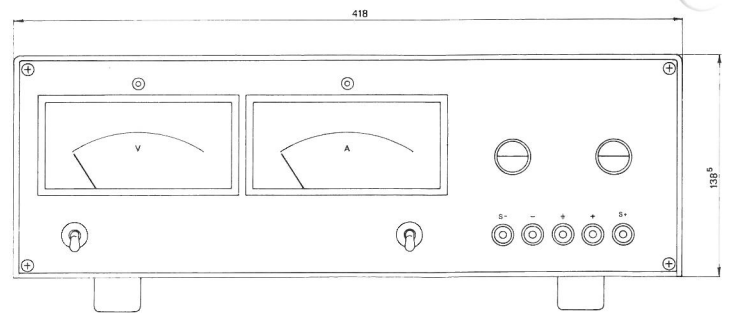
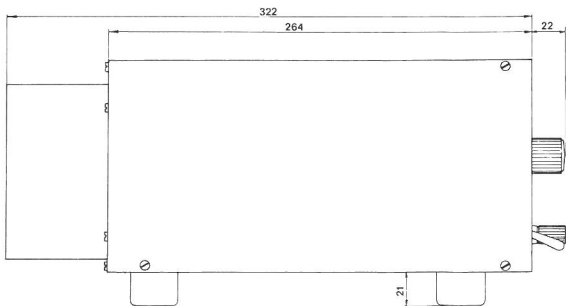
Sharp crossover

A preregulator with silicon controlled rectifiers keeps the rectified voltage in accordance with the output voltage. This results in low dissipation in the power transistors of the series regulator, so that no blower is needed for cooling. The preregulator causes no interference on the mains.

Output terminals	On front and rear panel, isolated from the case. Maximum voltage between output terminals and case 500 V.
Cooling	By natural convection. The air must flow freely through the vertically heat sink for effective cooling.
Meters	Voltage and current meter, accuracy 1.5 %.
Finish	Light gray front panel with dark gray case.
Weight and size	20 kg, 418 x 140 x 325 mm (bench model).



Rear connections for output, sensing, voltage and current programming and AC input.

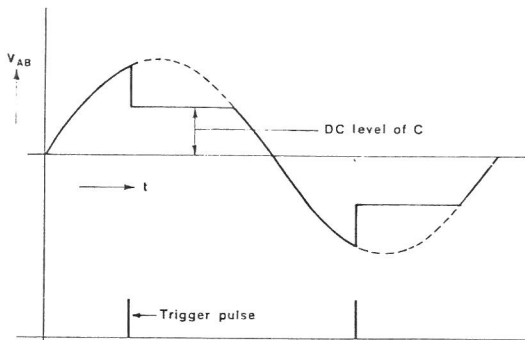
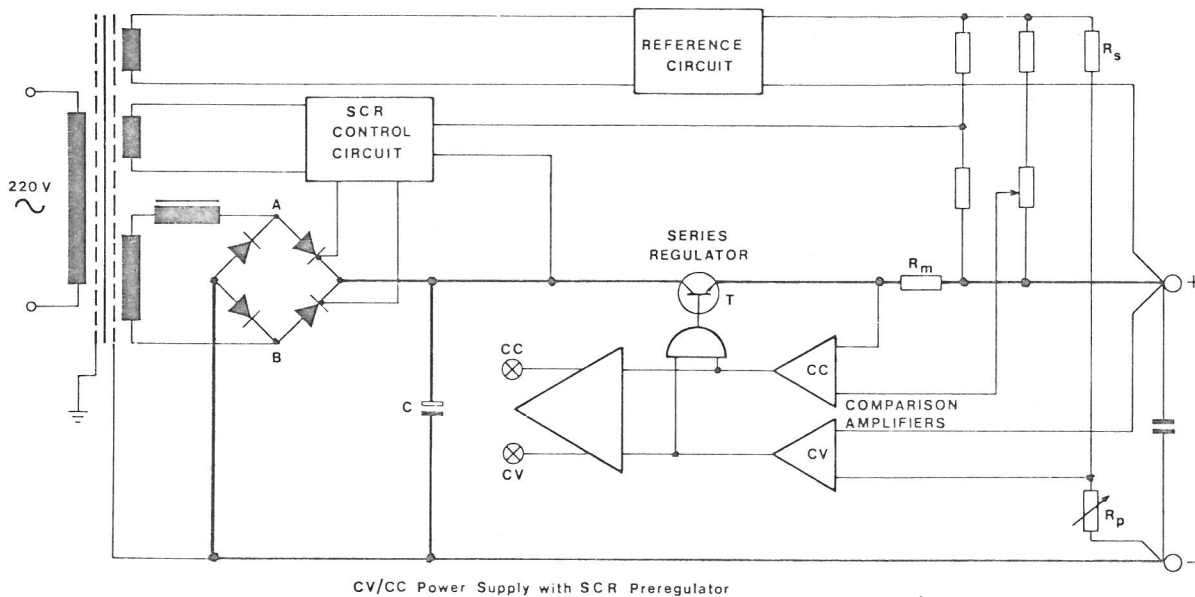


CIRCUIT DESCRIPTION

The regulation can be divided in two parts : A fast regulation with silicon transistors and a slower pre-regulation with silicon controlled rectifiers.

SCR Preregulator

The function of the switching pre-regulator is to keep the heat dissipation in the pass transistor T low.



The combined voltage drop across the series regulator and the current monitoring resistor is compared with a part of the reference voltage and the error voltage is converted into a time shift of the firing pulses of the SCR's. This causes a voltage change across capacitor C in order to keep the voltage across the series regulator constant. The voltage across the series regulator at maximum output current is about 3 Volts. The choke between the transformer and the rectifier circuit reduces the peak current through the SCR's and also suppresses interference to a very low level.

Constant voltage regulation

A comparison bridge is formed with the resistors R_s , R_p , the reference voltage and the output voltage.


The error voltage is amplified by the CV comparison amplifier and drives the series regulator. At the condition of balance the output voltage is practically proportional to R_p .

As long as the constant voltage regulation is active, the constant current regulation is inoperative.

Constant current regulation

At constant current regulation the voltage drop across R_m , which is proportional to the output current, is compared with a part of the reference voltage. The error voltage is amplified by the CC comparison amplifier and drives the series regulator in such a way that the voltage across R_m is constant which means a constant output current. As long as the constant current regulation is active, the constant voltage regulation is inoperative. The position of the crossover point of CV and CC regulation depends on the settings of the voltage and current controls.

R (Ohm)	E 015-20	E 030-10	E 060-6	
1 =	560	560	560	5W WW
2 =	1.5 k	1.5 k	1.5 k	0.6 W
3 =	10 k	10 k	10 k	1W
4 =	560	560	560	
5 =	560	820	820	
6 =	33 k	33 k	33 k	
7 =	33 k	33 k	33 k	
8 =	2.2 k	2.2 k	2.2 k	
9 =	270	270	270	
10 =	2.7 k	2.7 k	2.7 k	
11 =	2.2 k	2.2 k	2.2 k	
12 =	6.8 k	15 k	27 k	
13 =	CR	CR	CR	
14 =	1 k	1 k	1 k	
15 =	10	10	10	
16 =	10	10	10	
17 =	27	27	27	
18 =	12 k	10 k	10 k	
19 =	1.5 k	1.5 k	1.5 k	
20 =	1.5 k	1.5 k	1.5 k	
21 =	5 k	5 k	5 k	20 t. potm.
22 =	1 k	1 k	1 k	
23 =	1.8 k	6.8 k	3.9 k	
24 =	—	5.6 k	—	
25 =	CR	CR	CR	
26 =	22 k	22 k	22 k	
27 =	4.7 k	4.7 k	4.7 k	
28 =	2.2 k	2.2 k	2.2 k	
29 =	1 k	1 k	1 k	
30 =	4.7 k	4.7 k	4.7 k	
31 =	12 k	22 k	47 k	
32 =	1 k	1 k	1 k	
33 =	1 k	1 k	1 k	
34 =	680	680	680	
35 =	4.7 k	4.7 k	4.7 k	
36 =	6.8 k	6.8 k	6.8 k	
37 =	CR	CR	CR	
38 =	470	470	470	
39 =	470	470	470	
40 =	680	680	1.5 k	
41 =	1.2 k	1.2 k	330	
42 =	27 k	22 k	22 k	
43 =	12 k	12 k	12 k	
44 =	15 k	15 k	15 k	
45 =	1 k	1 k	1 k	
46 =	2,2 k	2,2 k	2,2 k	
47 =	100	100	100	
48 =	270	270	680	
49 =	100 k	100 k	100 k	
50 =	6.8 k	3.3 k	3.3 k	
51 =	CR	CR	CR	
52 =	CR	CR	CR	
53 =	CR	CR	CR	
54 =	100 k	100 k	100 k	
55 =	330	330	330	1W

			Title: part list E015-20 E060-6 E030-10	
Serial no 1953 and up	Jan '78	Vr.	Date: Jan '78	
Modifications	Date	App.	delta elektronika bv	

	E 015-20	E 030-10	E 060-6	
56 =	220	680	1.2 k	9W WW
57 =	220	680	1.2 k	9W WW
58 =	2.7 M	1.8 M	1.2 M	
59 =	CR	CR	CR	
60 =	100	100	100	
61 =	100	100	100	
62 =	10	10	10	
63 =	10	10	10	
64 =	220	680	1.2 k	9W WW
65 =	0.1	0.2	—	50W WW
66 =	1.5 k	1.5 k	1.5 k	
67 =	0.1	0.2	0.18	50W WW
68 =	1.5 k	1.5 k	1.5 k	
69 =	1 k	1 k	1 k	var.
70 =	470	470	470	
71 =	470	470	470	
72 =	15 k	33 k	68 k	
73 =	390 k	270 k	390 k	
74 =	1 k	1 k	1 k	var.
75 =	5 k	5 k	5 k	var. WW
76 =	5 k	5 k	10 k	10 t. potm.
77 =	47	47	47	5W
78 =	47	47	47	5W

C (microfarad)

1 =	2.2	2.2	2.2	100 V
2 =	100	100	100	100 V
3 =	1	1	1	250 V
4 =	10	10	10	160 V
5 =	22	22	22	25 V
6 =	0.000047	0.000047	0.000047	400 V
7 =	0.0033	0.0033	0.0033	500 V
8 =	0.22	0.22	0.22	63 V
9 =	10	10	10	40 V
10 =	0.047	0.047	0.047	250 V
11 =	CC	CC	CC	
12 =	0.01	0.01	0.01	250 V
13 =	CC	CC	CC	
14 =	0.01	0.01	0.01	250 V
15 =	47	47	47	63 V
16 =	1000	1000	1000	16 V
17 =	1000	1000	1000	16 V
18 =	1	1	1	250 V
19 =	14000/30 V	5900/75 V	3000/100 V	
20 =	14000/30 V	5900/75 V	3000/100 V	
21 =	14000/30 V	5900/75 V	3000/100 V	
22 =	10	10	10	100 V
23 =	4.7	4.7	4.7	63 V
24 =	4.7	4.7	4.7	63 V
25 =	0.22	0.22	0.22	630 V
26 =	4x220/25 V	4x100/70 V	4x100/70 V	
27 =	0,2 uF X + 2x2500 pFY	0,2 uF X + 2x2500 pFY	0,2 uF X + 2x2500 pFY	250 V

			Title: part list E015-20 E060-6 E030-10
Serial no 1953 and up	Jan '78	Vp.	Date: Jan '78
Modifications	Date	App.	delta elektronika bv



E 015-20

E 030-10

E 060-6

D

1 =	1N4003	1N4003	1N4003	TI
2 =	W 01	W 01	W 01	GI
3 =	1N4003	1N4003	1N4003	TI
4 =	1N4003	1N4003	1N4003	TI
5 =	ZY 12	ZY 12	ZY 12	ITT
6 =	2N6027	2N6027	2N6027	GE
7 =	ZP 6.2	ZP 6.2	ZP 6.2	ITT
8 =	1N4148	1N4148	1N4148	TI
9 =	1N 825	1N 825	1N 825	Micro S.Corp.
10 =	ZP 6.2	ZP 6.2	ZP 6.2	ITT
11 =	1N4148	1N4148	1N4148	TI
12 =	1N4003	1N4003	1N4003	TI
13 =	1N4003	1N4003	1N4003	TI
14 =	1N4003	1N4003	1N4003	TI
15 =	1N4148	1N4148	1N4148	TI
16 =	ZP 6.2	ZP 6.2	ZP 6.2	ITT
17 =	1N4148	1N4148	1N4148	TI
18 =	1N4148	1N4148	1N4148	TI
19 =	1N4148	1N4148	1N4148	TI
20 =	1N4003	1N4003	1N4003	TI
21 =	1N4003	1N4003	1N4003	TI
22 =	VH 148	VH 148	VH 148	VARO
23 =	2N3896	2N3668	2N3660	RCA
24 =	2N3896	2N3668	2N3660	RCA
25 =	40209 RCA	VTD-200/S	VTD-200/S	VARO
26 =	40209 RCA	in 25	in 25	
27 =	60 S 1	60 S 1	60 S 1	Motorola
28 =	40209 RCA	in 25	in 25	

IC

1 =	SN72709	SN72709	SN72709	TI
2 =	SN72709	SN72709	SN72709	TI
3 =	SN72709	SN72709	SN72709	TI

T

1 =	2N3053	2N3053	2N3053	RCA
2 =	BC 182	BC 182	BC 182	TI
3 =	2N3053	2N3053	2N3053	RCA
4 =	BC 182	BC 182	BC 182	TI
5 =	BC 182	BC 182	BC 182	TI
6 =	BC 182	BC 182	BC 182	TI
7 =	3x2N3055	2x2N3055	2x2N3442	RCA
8 =	3x2N3055	2x2N3055	2x2N3442	RCA
9 =	2N3055	2N3055	2N3442	RCA
Tr =	T 3010	T 3010	T 606	Delta
L =	S 01520	S03010	S0606	Delta

F = Fuse 5 A delay - 220 V 10 A delay - 117 V 1½" x ¼"

WW = Wire wound resistor

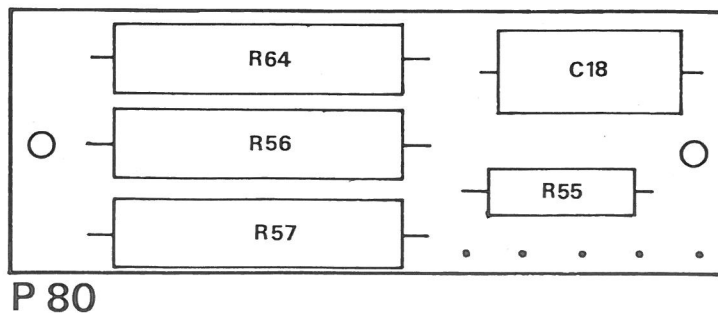
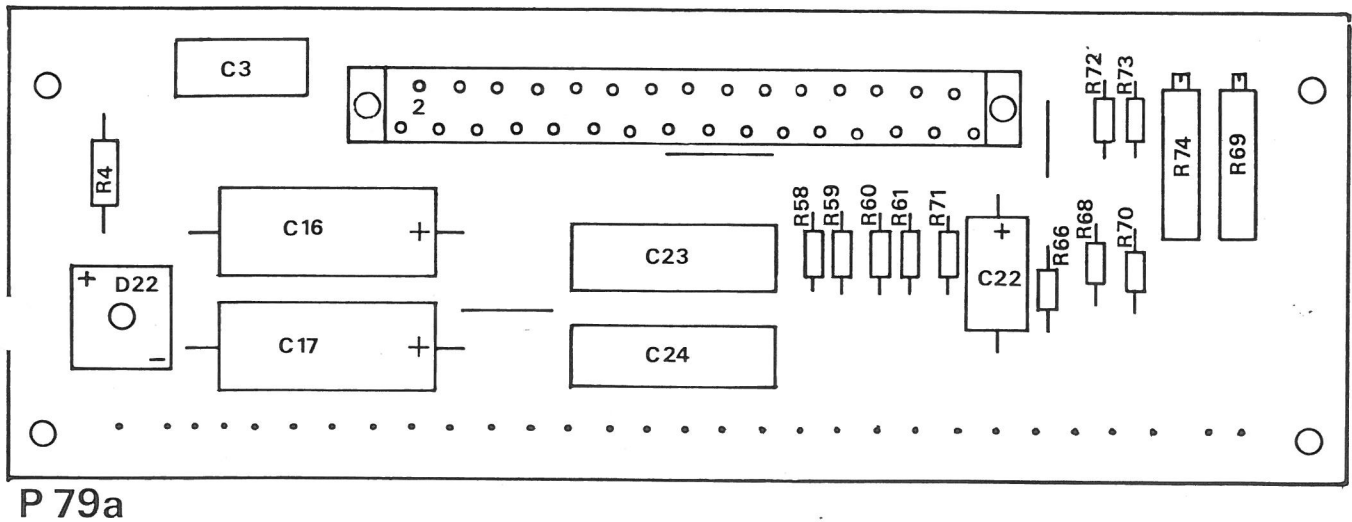
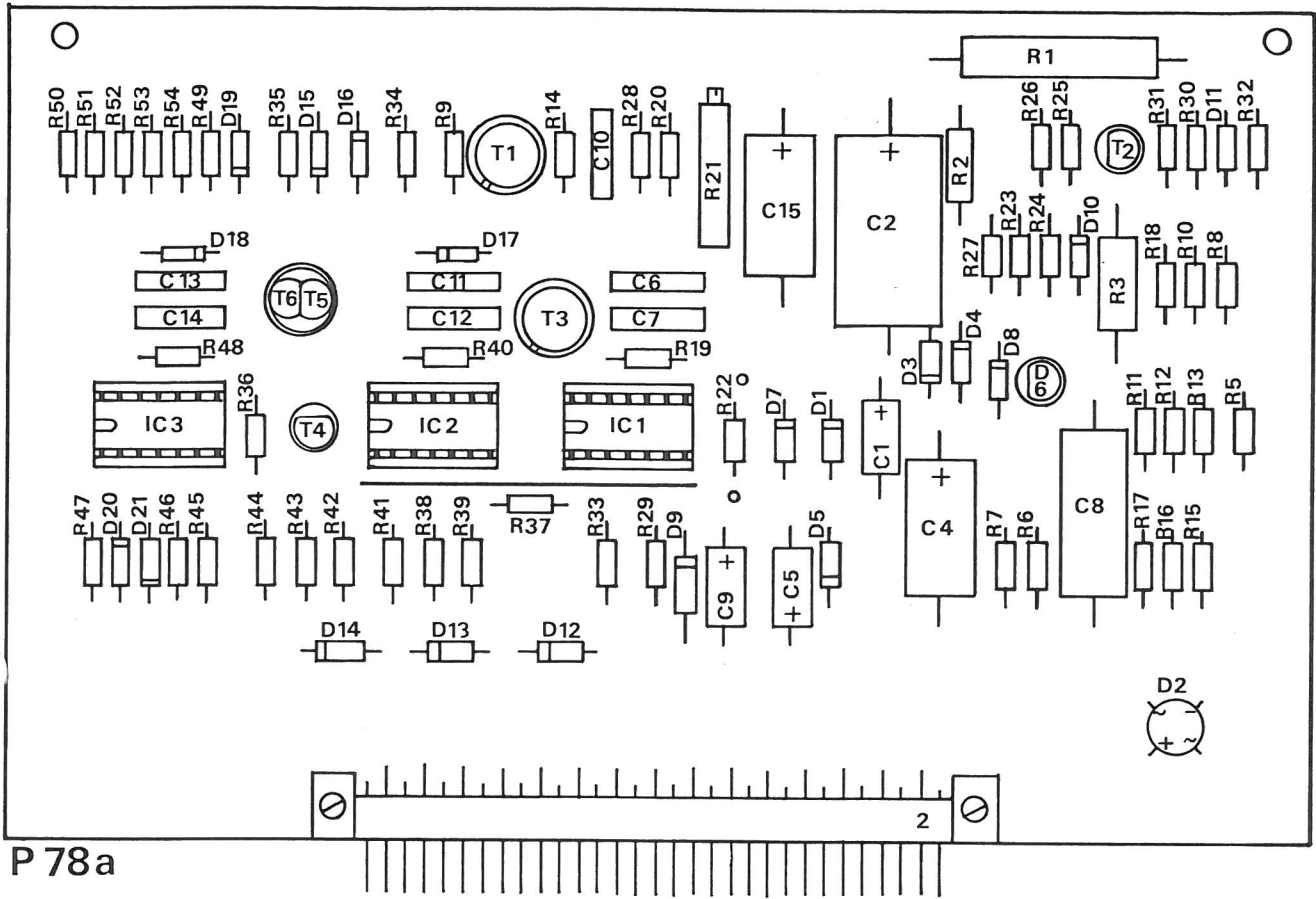
All other resistors metalfilm 0,4 W 2%

CR = Calibration resistor

CC = Calibration capacitor

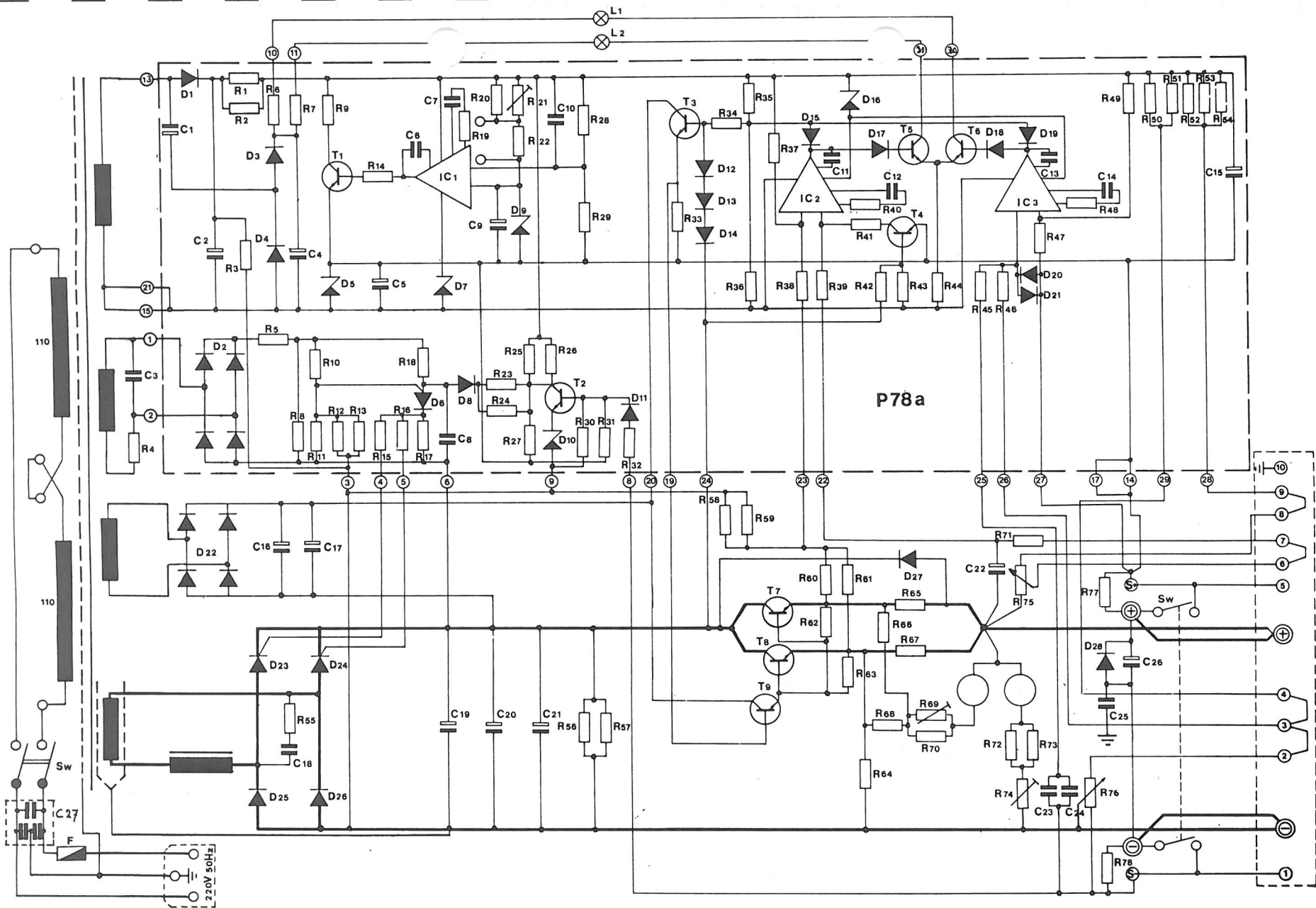
			Title: part list E015-20 E060-6 E030-10
Serial no 1953 and up	Jan '78	Vr	Date: Jan '78
Modifications	Date	App.	delta elektronika bv





			Title: Printed circuit E015 - 20 E 60 - 6 E030 - 10
Serial no 1953 and up	Jan'78	Vr.	Date: Jan'78
Modifications	Date	App.	delta elektronika bv



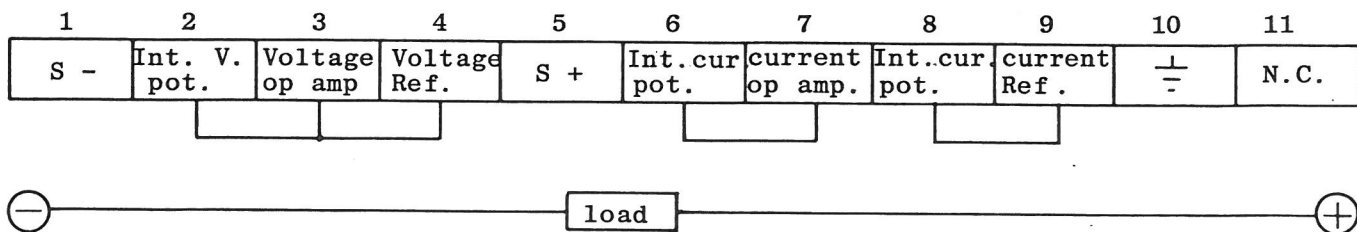


			Title: Circuit diagram E015-20 E060-6 E030-10
Serial no 1953 and up	Jan '78	Vr.	Date: Jan '78
Modifications	Date	App	delta elektronika bv

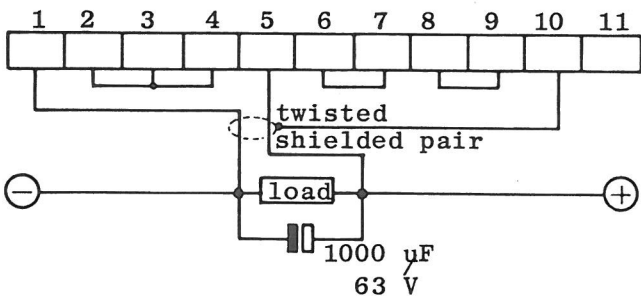


Rear connections for drive and output

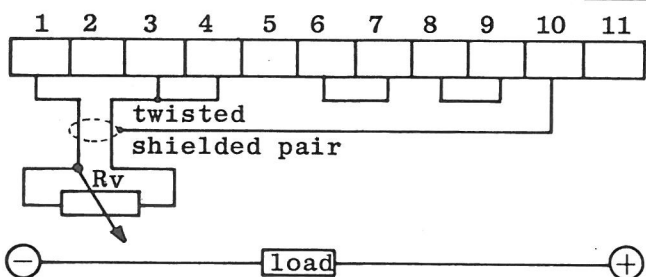
E 015-20, E 030-10, E 060-6



1. Local Control, Local Sensing with front sense switch on "Int." (Constant-Voltage or current)



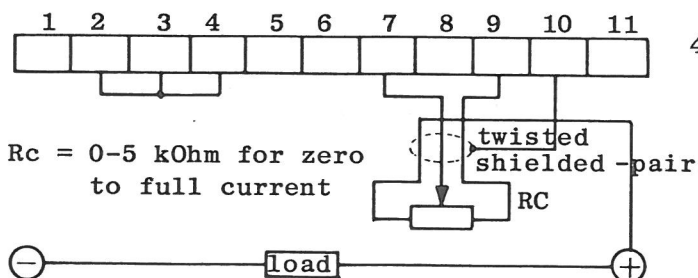
2. Local control, Remote sensing with front sense switch on "Ext." (Constant-Voltage or current)



3. Programming (Remote Control) of Constant voltage by Resistance, Local Sensing.

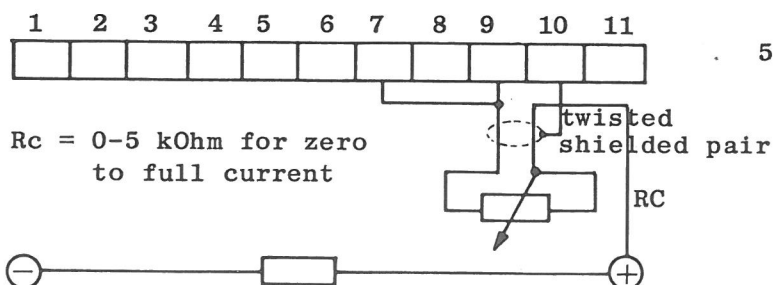
Programming resistor Rv :

E 015-20	Rv = 0-5 kOhm for 0-15 V
E 030-10	Rv = 0-5 kOhm for 0-30 V
E 060-6	Rv = 0-10 kOhm for 0-60 V



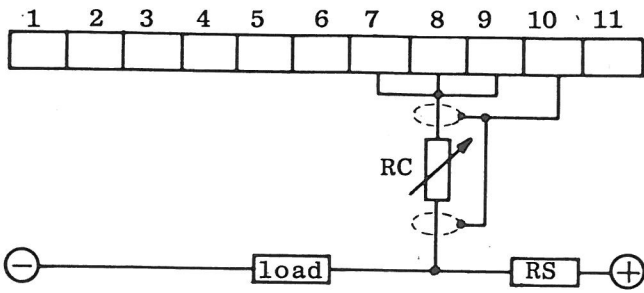
4. Programming (Remote Control) of Constant-current, linear with potentiometer, Local sensing.

Rc = 0-5 kOhm for zero to full current

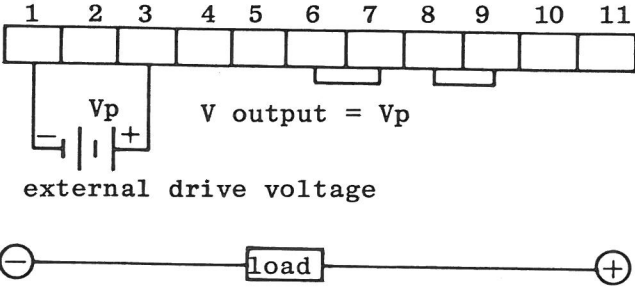


5. Programming (Remote Control) of Constant-current, nonlinear with variable resistor, Local sensing.

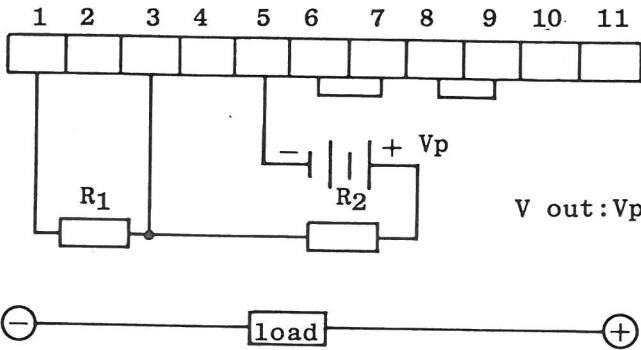
Rc = 0-5 kOhm for zero to full current



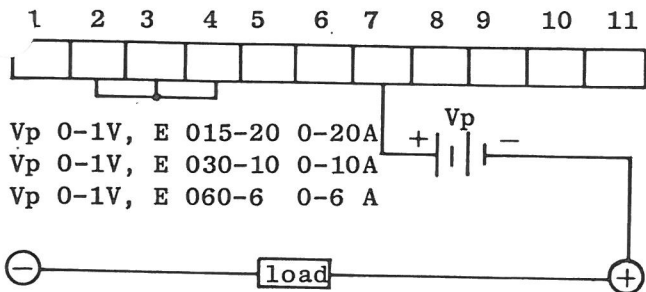
6. Constant-current, External conversion, Remote control, nonlinear with variable resistor, Local sensing.



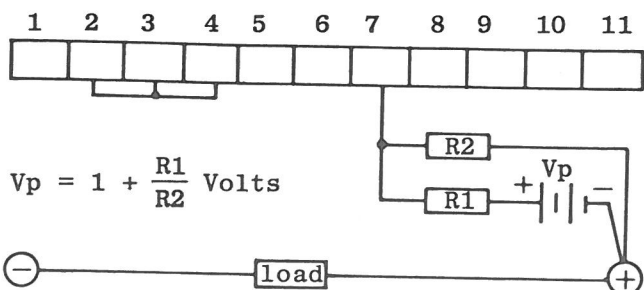
7. Voltage programming by voltage, local sensing.



8. Voltage programming by voltage, local sensing.



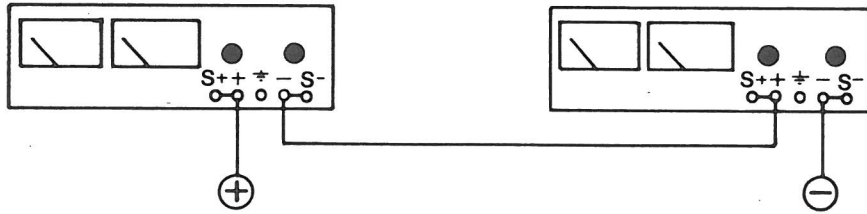
9. Current programming by voltage, local sensing.



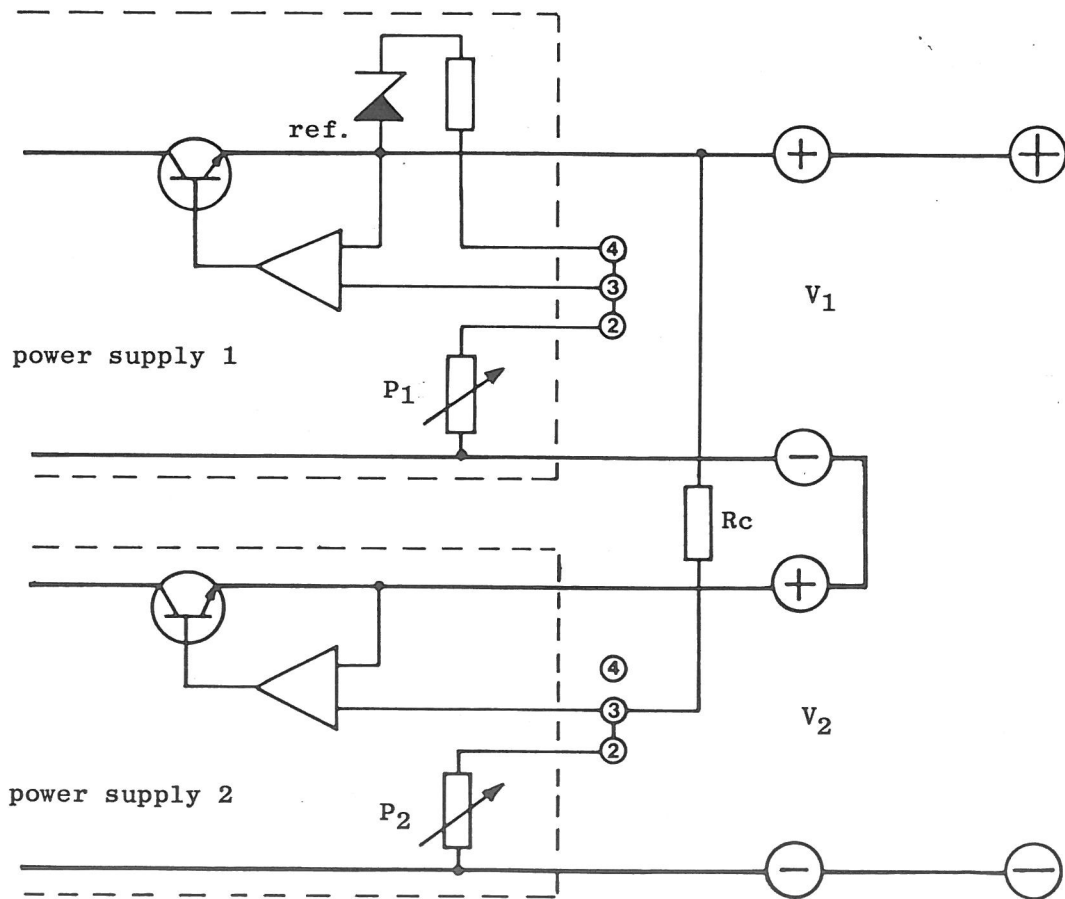
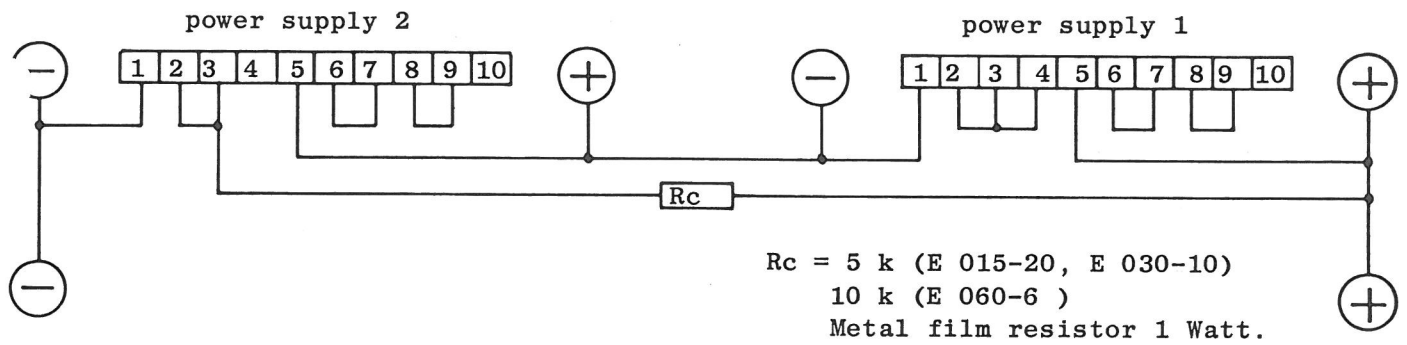
10. Current programming by voltage and divider, local sensing.
 0-1 V between 7 and 5 corresponds with zero to full current.

Series connection

Two or more power supplies of the same model can be connected in series without any precaution by simply connecting the + of the one with the minus of the other power supply. In this case both voltage knobs have to be used to vary the total voltage.



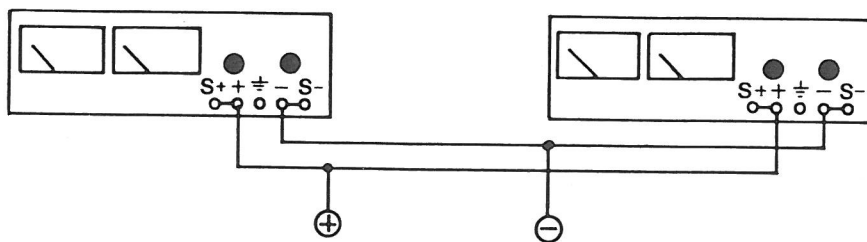
If it is desirable to vary the total voltage with only one knob a special connection can be made between the rear terminal strips.



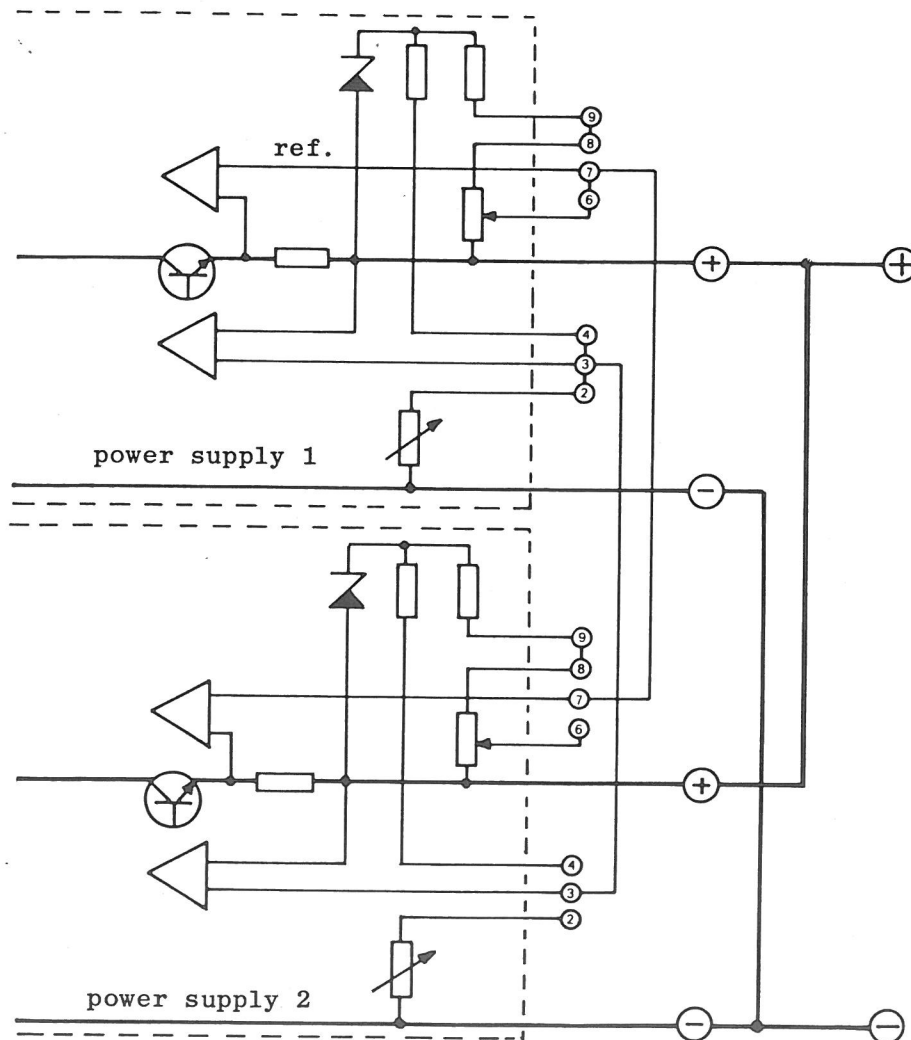
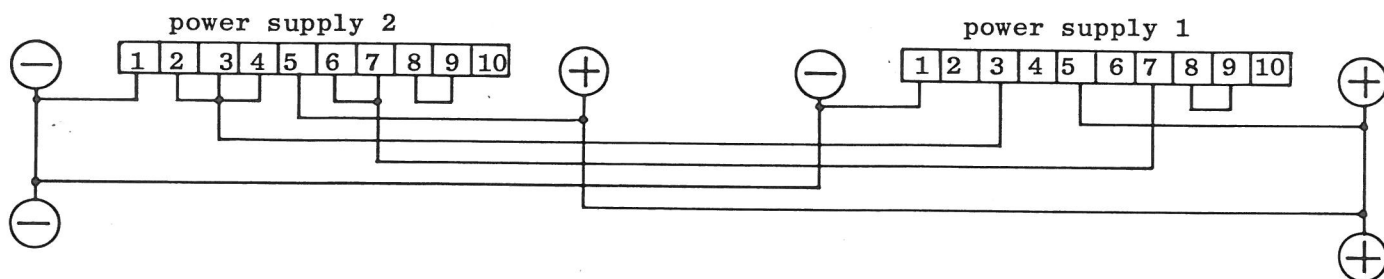
With P_1 (voltage knob of power supply 1) the absolute value of the total output voltage can be varied and with P_2 the ratio of V_1 and V_2 can be varied.

Parallel connection

Two or more power supplies of the same model can be connected parallel without any precaution by simply connecting the + terminals and the - terminals. In that case two voltage knobs and two current knobs have to be used to control the voltage and current of the parallel connection.



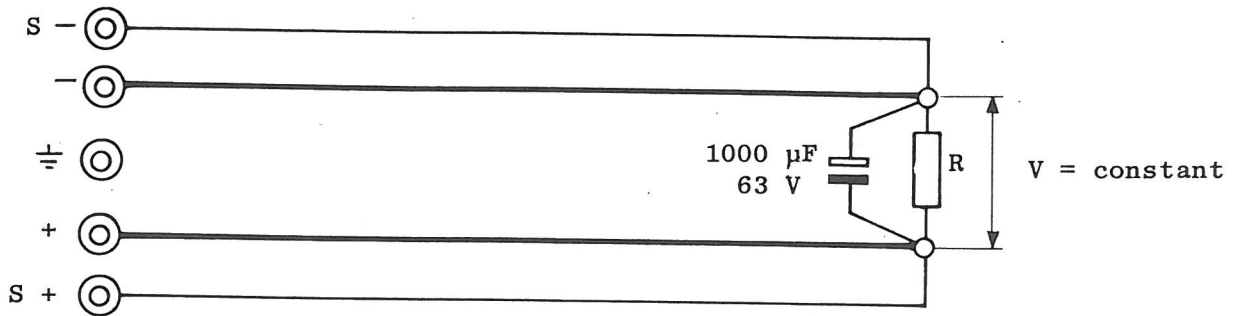
If it is desirable to control the voltage and total current with the knobs of only one power supply a special connection can be made between the rear terminal strips.



Voltage and current control with the knobs of power supply 1.

USE OF REMOTE SENSING

The output voltage may be regulated at a load point remote from the power supply by means of two extra wires. (fig. A).



The sense switch must be put on external.

If the terminals at the rear side are used for error sensing, the sense switch must also be put on external.

A voltage drop up to 1,5 Volts in each connecting wire can be compensated.

Depending on the output voltage and current it is often possible to compensate for still larger voltage drops.

Remote sensing does not compensate for the inductance of the load connecting wires.

To establish a low source impedance at the load a capacitor bypass directly at the load terminals is usefull.

o minimize the inductance the sense wires should be twisted together.

The load wires can also be twisted together.

Meter calibration

On printed board P 79: A are two potentiometers.

R 74 is for calibrating the voltage meter.

R 69 is for calibrating the current meter.